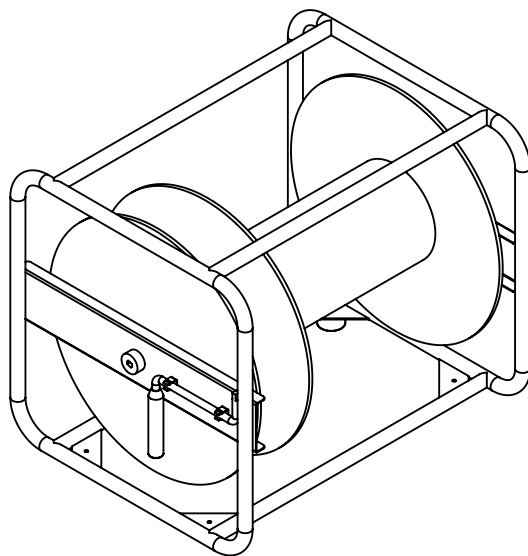
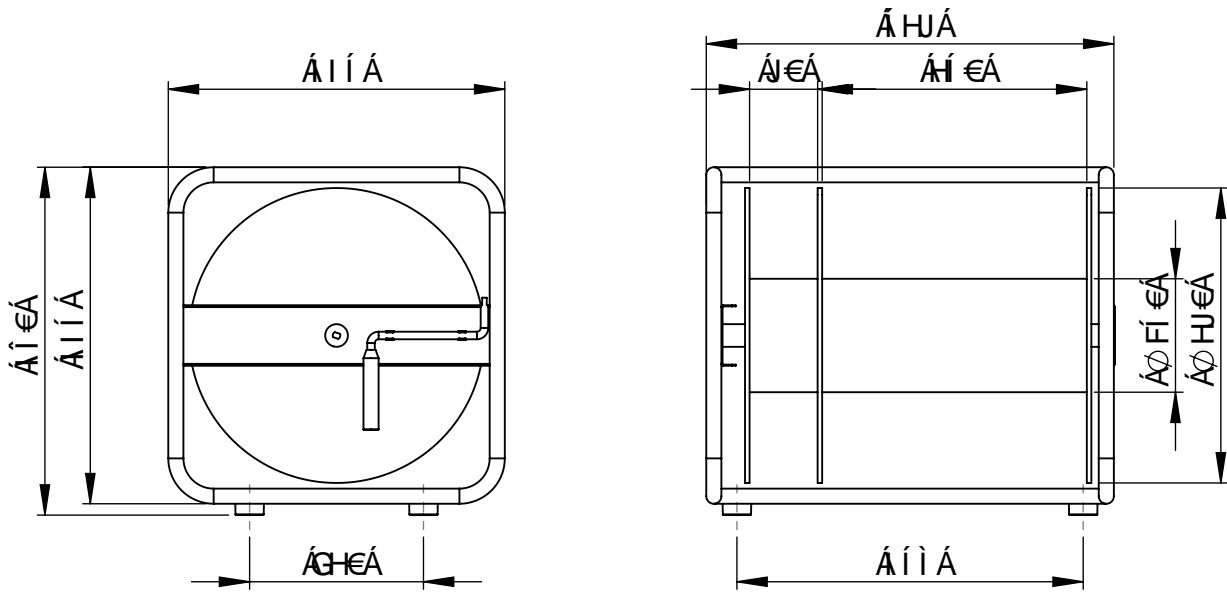


H97 < B € 7 < 9 N9 7 < BI B;  
 H97 < B 7 5 @ 8 F 5 K B; C B 9 G G B H97 < B € I 9 C B € I > C H97 < B 7 C



+\$&) \$



5XUa < U" 0VYfbja a h\_Y]bY; Yk Á\fcXYF < Uzi b[ zFXY]Y F ]Mh[ \_Y]z; YbUi ][\_Y]ni bX'J c"grAbX[[\_Y]nX]YgYfNY]Mbi b["  
 5XUa < U" UWWdhp bc fYgdcbgV] ]mcf ]UV] ]mzf h\_Y VefYVibYggzUWWfUWnUbX Vta dYfYbYgg cZfA ]g ]i gffU]cb"  
 5XUa < U" b Uggi a Y'Ui WbY [UfUb]Y b]fYgdcbgUV] ]Á ei Uoh¼U Vebzfa ]rAz U dfÁV]g]cb Yh' Yi \Ui g]j ]Á XY'W' gWÁa U"  
 5XUa < U" bc cZfVW' [UfUb]U U[i bU fYgdYVte U" UYI UVMh XzdfYV]g] b c ]bY [f]XUX XY YgtU ]i gffU] b"

5XUa < U" ; a V< CBUJa Yfgf"- CE%&\* + BYi !5bgdUW; Yfa Ubm  
 HY" fZ (-E\*\$, %#- (% \$ CE UI . fZ (-E\*\$, %#- (% %\$\$\$ C? !a U] . a U] 4 UXUa \U" Vta